

Poker Master 2 in 1

DIP SWITCH 5		1	2	3	4	5	6	7	8
Display Of Doll On Demo	Displayed	ON							
	Not Displayed	OFF							
Coin In Limit	20,000		ON	ON					
	10,000		OFF	ON					
	5,000		ON	OFF					
	1,000		OFF	OFF					
Condition For 3 Kind Of Bonus	3-2-1				ON	ON			
	6-3-1				OFF	ON			
	9-5-1				ON	OFF			
	12-7-1				OFF	OFF			
Display Of Doll On Frt & Ch Bonus	Displayed						ON		
	Not Displayed						OFF		
Coin Out Rate	10							ON	
	1							OFF	
Run Cards In Double Up	On								ON
	Off								OFF

DIP SWITCH 6		1	2	3	4	5	6	7	8
Card Type	Cards	OFF							
	Missiles	ON							
Type Of Double Up Game	Big/Small		OFF						
	Red/Black		ON						
Hold After 1st Hold	Not Active			OFF					
	Active			ON					
Royal Win	Not Active				OFF				
	Active				ON				
Joker	Not Active					OFF			
	Active					ON			
One Pair Win Type	No Win						OFF	OFF	OFF
	Any Pair						ON	OFF	OFF
	6 & Better						OFF	ON	OFF
	10 & Better						ON	ON	OFF
	J & Better						OFF	OFF	ON
	Q & Better						ON	OFF	ON
	K & Better						OFF	ON	ON
	Ace Pair						ON	ON	ON

Poker Master 2 in 1

DIP SWITCH 7		1	2	3	4	5	6	7	8
Minimum Bet To Play	1	OFF	OFF						
	6	ON	OFF						
	8	OFF	ON						
	10	ON	ON						
Keys Panel Type	A Type			OFF	OFF				
	B Type			ON	OFF				
	C Type			OFF	ON				
	D Type			ON	ON				
Chance Bonus	Not Active					OFF			
	Active					ON			
Sound At Run And Open Cards	Not Active						OFF		
	Active						ON		
Main Game Type	CM Only	Full Demo Of CM						OFF	OFF
	Poker Only	Full Demo Of Poker						ON	OFF
	Both	Full Demo Of Both Games						OFF	ON
	Both	Only Logo Demo of Both Games						ON	ON

Poker Master 2 in 1

Panel A Type

	Hold #1	Hold #2	Hold #3	Hold #4	Hold #5
START	BET	TAKE	W-UP	SMALL	BIG

Panel B Type

Hold #1	Hold #2	Hold #3	Hold #4	Hold #5	
SMALL	BIG	W-UP	TAKE	BET	START

Panel C Type

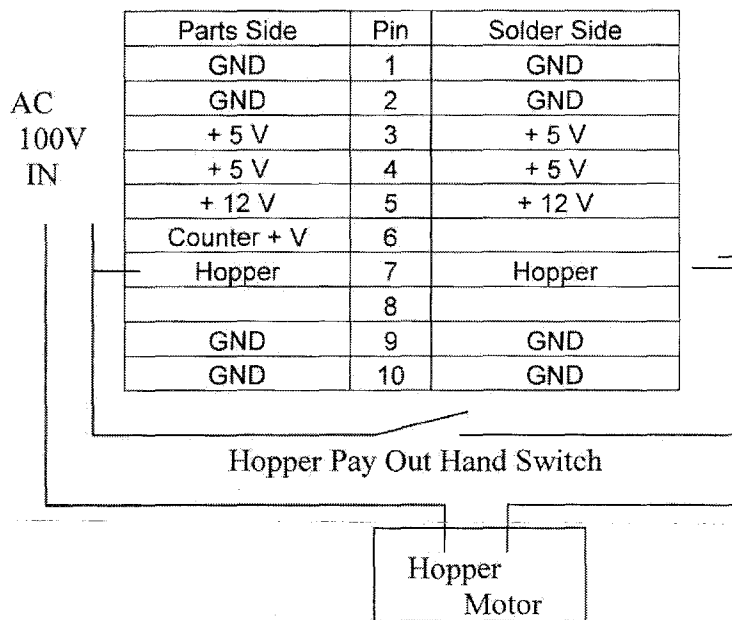
HOLD #1	HOLD #2	HOLD #3	HOLD #4	HOLD #5	CANCEL
START	BET	TAKE	W-UP	SMALL	BIG

Panel D Type

HOLD #1	HOLD #2	HOLD #3	HOLD #4	HOLD #5	CANCEL
SMALL	BIG	W-UP	TAKE	BET	START

Poker Master 2 in 1

Parts/Component	36	Solder
Side A	Pin	Side B
Video Red	1	Video Green
Video Blue	2	Video Sync
Speaker	3	Speaker GND
	4	
Hold #1 Key	5	
Hold #2 Key	6	
Hold #3 Key	7	Hold #4 Key
Service Coin Key	8	Hold #5 Key
Start	9	
Small / Odds	10	
Bet	11	
Take Score	12	
Double Up	13	
Cancel	14	
	15	
Big	16	
	17	
Coin A In	18	Key In
Coin C In	19	Coin D In (Hopper)
Book	20	Test
Pay Out	21	Key Out
Hopper Full	22	Hopper Switch
Meter : Coin A In	23	
Meter : B Key In	24	
Meter : Coin C In	25	
Meter:CoinDHopper	26	
Meter:Hopper Out	27	
Meter : Key Out	28	LackofHopperDriver
Lamp : Start	29	
Lamp : Cancel	30	
Lamp : Bet	31	
Lamp:Take Score	32	Lamp : Double Up
Lamp : Small	33	Lamp : Hold
Lamp : Big	34	Lamp : Hold
	35	
GND	36	GND



Counter + V Depends on Spec. of voltage.
Please connect + 5V or + 12V.