

ExactBanker 9000 UV/MG

MONEY COUNTER

***OPERATION
MANUAL***

MADE IN CHINA

Foreword

Money counter of ExactBanker 9000 UV/MG is a machine of absolutely necessarily for finance. Post. Commerce. Department. The function of counting as well as discrimination.

It can counts and detect Euro exactly. it can discriminate fake notes according to magnetic, UV, Digital and Spectrum.

This Series has exported to more than thirty countries and regions South America North American Europe South-East Asia(SEA) and Taiwan etc. It is the highest appriaise for users.

Please read the instruction carefully before operation. so take the reins performance best.

1. Illustration

1. Hopper Plate
2. Preset (Batch) Displayer
3. Alarm Display
4. Count Display
5. +1 Key
6. x 10 Key
7. Preset (Batch) Key
8. Clearing and Resetting Key
9. Fun Key
10. ADD Key (Accumulation)

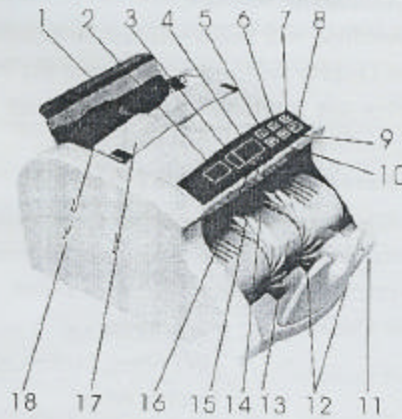


图 (1)

11. Stacker Plate
12. Stacker Sensor
13. Stacker Vanes
14. MG Indicator
15. UV Indicator
16. ADD Indicator
17. Handle
18. Hopper Sensor
19. Rear Cover Screw
20. Hopper Adjust Screws
21. Power Switch
22. Fuse
23. External Displayer Socket
24. Power Socket
25. UV Sensitive Adjuster (UV Type)

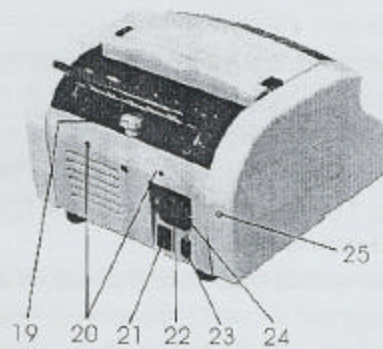


图 (2)

(Illustration 1-2)

2. Features:

a) Automatic Self-test:

The machine will begin self-test automatically when it was switched on. The Count Display will show a "0", and the Preset Display shows nothing. If the machine got anything wrong, the Preset Display will show the error codes (Ref. Section 5).

b) Auto-stop on Foreign (abnormal) Notes:

The machine will stop counting when it finds forged notes, foreign notes, jammed notes, doubled notes, broken notes, etc. The buzzer will alarm. And the Preset Display shows the error codes.

Error Codes	Causes
EC1	= Half notes, broken notes.
EC2	= Double notes.
EC3	= Chain notes
EC4	= Forged notes
EC5	= Small notes

c) Common Counting

To count all the bank notes which were put on the Hopper Plate (As No.1 in Illustration 1).

d) Batch Counting

Count the notes by batches. Must preset batch numbers by using "+1" key (No.5 in Illustration 1), and "x 10" key (I-1:6).

e) Accumulating

By pressing Add (Accumulating) key, to select accumulating function (Press "Add" key and the Add Indicator will be on), then the machine will count all the notes put onto the hopper plate and accumulate the total numbers to the previous counts.

f) Auto-start:

The machine will start working automatically when the notes were put onto

the Hopper Plate.

g) Auto-reset:

- i. Under common counting function, the machine will clear the sum automatically after the counted notes on the Stacker were taken away, and another stack of notes were put into the Hopper Plate.
- ii. Under batch counting mode, the machine will clear the sum and reset automatically after the counted note on the Stacker were taken away.

3. Operations

h) Power

- i. The power socket connected with the machine must be in good grounding, and Voltage should be within the stated range.
- ii. Turn on the power supply and switch on the machine. The machine begins self-test to working condition. If there were anything wrong, it will show the error codes on the Preset Display (As I-1-2).

iii. Fluorescence and magnetism test

When turn on the machine. The indicator of UV and MG is shining.

Press "fun" key that may exchange two ways of detecting with Fluorescence, magnetism indicator of function will be shining or burn off.

Way of Fluorescence detecting. It can detect false note with "UV".

Way of magnetism detecting. It can count according to the magnetic feature of Euro and detect fake Euro.

i) ADD functions

Press ADD key (I-1-10), then the ADD indicator (I-1-15) will turn on. Then the machine will be on accumulating mode. Press the ADD key again, the machine will come back to the common function.

j) Counting methods

i. Common Counting

Press the Preset key (I-1-7) to clear the Preset Display (I-1-2), so as to set the machine at common counting mode.

Put the notes onto the Hopper Plate, and the machine will start working automatically. The counting result will be shown on the Count display (I-1-4).

Take away the notes from the Stacker, and put another stack of notes onto the Hopper Plate, the Count Display will reset "0", and the machine will count from "0".

If the counted notes were still there on the Stacker, the machine will never reset and start working.

ii. Batch Counting

Press Preset key and make the Preset Display to show "000", use "+1" key and "x10" key to preset the batch number between 1 and 999. After then, the machine has already been under batch counting function. Put the notes onto the Hopper Plate, the machine will start counting automatically. When it comes to the previous batch number preset, it will stop automatically.

Take away the counted notes from the Stacker, the machine will reset and be ready for a next batching counting.

If the actual quantity of the notes on the Hopper Plate is less than the batch number as preset, it is necessary to put more notes onto the Hopper Plate, and let the machine finish the counting.

Every time the batch number is changed, the batch memory will be renewed.

iii. Accumulating

Press the ADD key, the ADD Indicator will be on. The machine is then under accumulating mode, and to accumulate the quantity counted each time.

Cautions: The panel keys shall be operated when the machine is not counting notes. Pressing any keys when the machine is working probably cause jamming or disorder problems.

4. Adjustments on the Hopper Plate

a) Adjustment on the Plate System ---

To adjust the Hopper Adjuster Screws (As Illustration 2, No.19).

b) Adjustment the Resistance Rubber ---

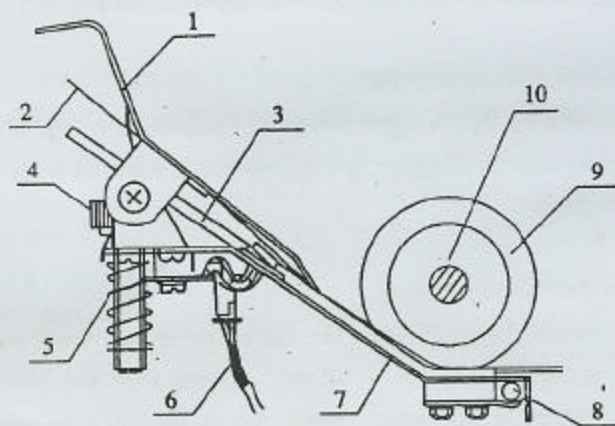
Whenever the Resistance Rubber gets worn, it is necessary to screw off the Hopper Plate screws and the Hopper Spring, replace it with the spare rubber attached in the package

c) Adjustment on the Plate Spring ---

Please pay attention to the position of the Plate Spring and the Resistance Rubber. The Plate Spring should be 10mm –12mm after the Resistance Rubber. If the distance is too much short, the notes can't be separated smoothly, and if the distance is too much long, then the notes can't go down easily.

After above mentioned adjustments, switch on the machine, use one piece of note to test the system. With one end in your hand, let the other end go vertically to the Feed Rollers. You will feel a balanced tension on both sides of the Rollers. The gap between the Hopper Plate and the Feed Rollers can be adjusted by the Hopper Adjust Screws. Turn clockwise, will become tighten, and anti-clockwise, will become loosen.

Hopper Plate system.:



(Illustration 3)

- | | |
|----------------------|----------------------|
| 1. Hopper Plate | 6. Hopper Sensor |
| 2. Plate Spring | 7. Bottom Plate |
| 3. Resistance Rubber | 8. 5 × 5 Pin |
| 4. Adjusters | 9. Feed Roller |
| 5. Adjusters Spring | 10. Feed Roller Core |

5. Troubles Shooting

Caution: It's a must to switch off the machine and disconnect the Power Cable from the plug before checking.

1. Error Signals:

Error Signals	Meaning	Solutions
ER0	Left Counting Sensor dusted; or not positioned well; or broken	Clean the Counting Sensor; Reposition it; Replace it with new one
ER1	Right Counting Sensor dusted; or not positioned well; or broken	Clean the Counting Sensor; Reposition it; Replace it with new one
ER2	Hopper Sensor covered with dust; or not positioned well; or broken	Clean the Hopper Sensor; Reposition it; Replace it with new one
ER3	Stacker Sensor covered with dust; or not positioned well; or broken	Clean the Stacker Sensor; Reposition it; replace it with new one
ER4 (UV model only)	UV Sensor covered with dust or broken	Clean the UV Sensor; Replace it with new one
ER8	Width Detection Sensor not have enough voltage or broken	Adjust the voltage ; Replace it with a new one

6. *Specification:*

Counting Speed	>1000 pcs.
Banknotes Sizes	100 × 50 ~ 173 × 85 mm
Banknotes Thickness	0.075 ~ 0.015 mm
Hopper Capacity	130 pcs.
Display	LED 999
Alarm Display	1 LED Display
Batch Display	3 LED Display
Environmental Temperature	0 ~ 40 C
Moisture	30 ~ 90%
Power Source	110 V, 60 Hz 220 V, 50 Hz
Power Consumption	<70W (In operation), <10W (not in operation)
Net Weight, Gross Weight	6.5 kg, 7.0 kg